

AquaEuroUSA™

Aqua Euro USA's 28 Gallon Deluxe Aquarium – Deluxe EU-T28S

With the right combination of lighting, filtration, water movement and temperature, a beautiful, balanced, healthy aquarium can be yours. **Aqua Euro USA's 28 Gallon Deluxe Aquarium** gives you that, easily and efficiently. Now you can create your own magical under water world.

This aquarium is designed and built with safety as a prime concern. Each aquarium is checked at the factory for safety and proper operation prior to shipment. Please read and follow the safety instructions before installation, operation and performing routine maintenance. Failure to follow these rules voids the warranty and may result in damage to the aquarium or personal injury.

Please refer to the “SAFETY INSTRUCTIONS” portion of this manual

Additional Recommended Equipment

Aqua Euro USA™ offers additional equipment to enhance your aquarium peak performance. The following items are not included:

- **Aqua Euro USA™ Chiller:** Model: AECL150 includes a heater thermostat built in. Specifically designed for this size aquarium will provide a moderate cooling. Eliminates the need of an external heater.
- **Aqua Euro USA™ Chiller:** 1/13HP for best and maximum water cooling. Use for higher temperature areas.
- **Aqua Euro USA™ High Quality, 100W Heater:** not needed when using the chiller CL150 chiller/heater model
- **Aqua Euro USA™ Grounded Heavy Duty Timer:** automate your daylight cycles.
- **Aqua Euro USA™ GFCI (ground fault circuit interrupter) Outlet:** absolutely required if your wall outlet is not already equipped with a GFCI. Easy to use no wiring required.

SET UP

- Carefully remove aquarium and accessories from box. Two people are required to gently lift tank out of box (position one person on either side of tank). Place tank on a flat, sturdy surface. Examine for damages.

Once the tank is filled with water and rock it must not be moved.

Before proceeding, consider the following in choosing a suitable location for aquarium:

- An aquarium full of water and rock is very heavy; therefore, placement on a suitable, sturdy and level surface is necessary. As with any glass aquarium, your aquarium may crack if it is placed on an inappropriate surface. Be sure that the surface you choose will be able to support the weight of the aquarium.
- Do not place aquarium on the floor and keep electrical cords neatly out of the way (aquarium may be damaged or you may trip over the aquarium and/or the cords).

- Locate in an area that will receive good ventilation and allow for air flow. Do not store aquarium in a closed location (a location that does not receive sufficient air flow such as a closet or cabinet). Keep away from heat sources to maintain optimal temperature.
- Optimum ambient room temperature for this aquarium is 75° Fahrenheit.
- Do not place aquarium near electronic systems (T.V., computer, power strip etc.) or anywhere that the possibility of water splash is a concern.
- Do not place aquarium near air conditioner, heater etc. Place away from window to prevent excessive algae build up and to help with temperature regulation.
- Do not expose aquarium to outside elements and below freezing temperatures.
- Be sure to place your aquarium so that you can fully open the hood for routine maintenance and to allow for easy component access.
- Be sure that the location has adequate access to the electrical socket so equipment can be switched OFF during maintenance.

ASSEMBLY – Please read entire manual before beginning assembly

Check tank before proceeding for leaks:

- Fill tank 2" from top of tank with tap water, let it stand for ½ hour and check for leakage.
- Do not move the tank when full
- To empty tank, siphon the water – Do Not lift or tilt tank to empty.

Electrical components:

- Never touch electrical components with wet hands.

The plugs for electrical equipment will fit through the openings in the hood. If you wish to remove the hood for any reason it can easily be done as follows:

To remove the hood from the aquarium:

- Unscrew the x-head locking cover screws and remove the two locking covers (see diagram 1).
- Open the hood too approximately 45° (see diagram 2) so the holding pins slide away from the hinge bracket.
- Secure the electrical cables in the clips provided.

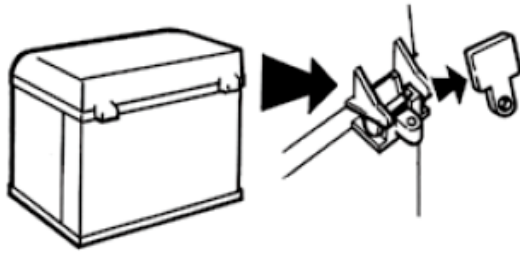
DO NOT TURN THE PUMPS ON AT THIS STAGE

- The pumps should be pushed firmly into the outlet holes in the right hand side of the filter.
- Attach the flow director to the outside of the outlet nozzle (see diagram 3).

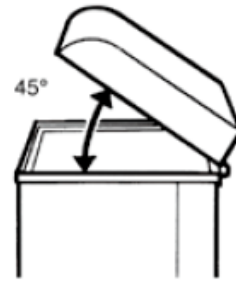
DO NOT TURN THE HEATER ON AT THIS STAGE

- Attach the heater (not included) to the wall of the filter chamber using the suction cups (see diagram 4). The heater is pre-set to a standard temperature suitable for tropical and marine fish aquariums, and is fully adjustable if a higher or lower temperature is desired
- Add the bio-balls, filter sponge, bio-media and carbon bag (see diagram 5-8).
- Refit the hood by setting an angle of approximately 45° and sliding the holding pins into the bracket. Reattach the hinge locks.
- Do not allow pumps to operate dry.
- Always observe proper maintenance to ensure optimal operation.

1.

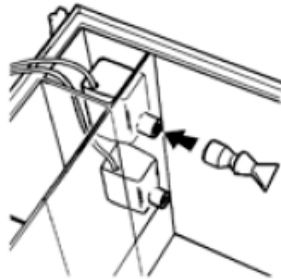


2.

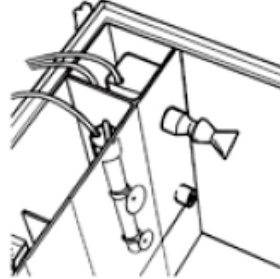


*Figures 1 & 2 Apply to some models only.

3.

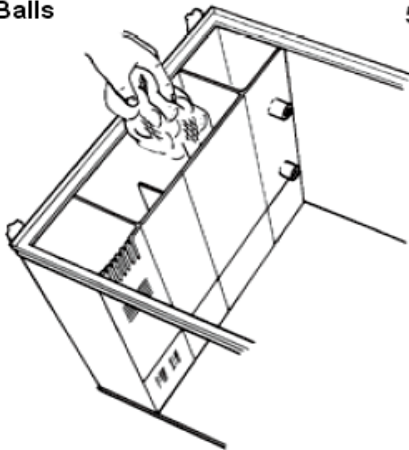


4.



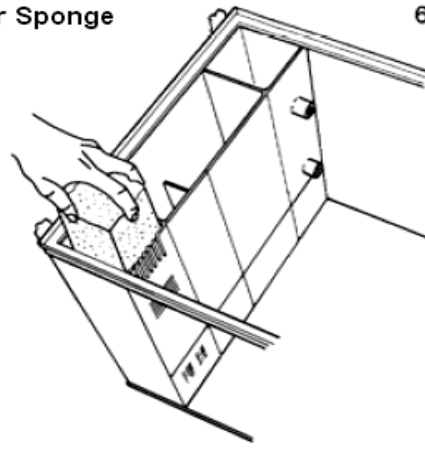
Bio-Balls

5.



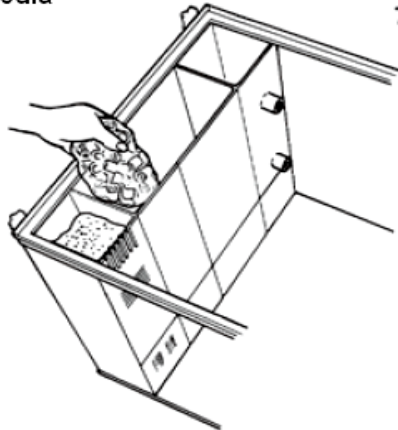
Filter Sponge

6.



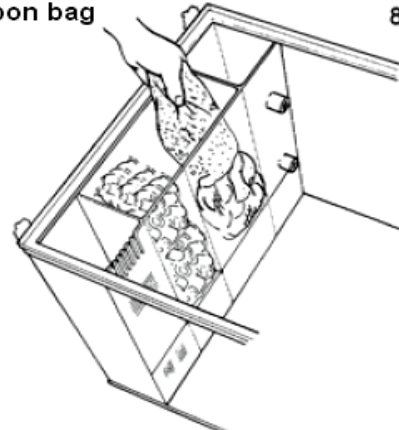
Bio-Media

7.



Carbon bag

8.



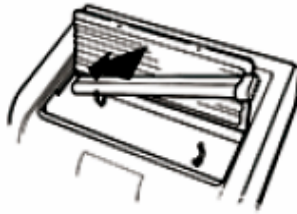
Lighting Components:

This aquarium is supplied with 72 watt (2 x 36 watt) Compact Fluorescent Lighting and 8 blue LED lights (ideal for night viewing when the main lighting is switched off). The LED's are pre-installed and are not replaceable. Install the compact fluorescent lamps as follows:

1. Push down on the lighting compartment cover in order to gain access to the lighting chamber.



2. Install the lamps, inserting the non-socket end first and then slide the lamps into the sockets ensuring they are firmly fitted.



3. Close the lighting compartment cover.



- Change the Compact Fluorescent lamps every 8 -10 months to ensure optimum benefit for your aquarium inhabitants.

Turn on the lights:

- Check that the Compact Fluorescent Lights operate. If they fail to light, be sure that they are firmly secured in their sockets.
- Check that the LED's operate (these are the small blue lights).
- Turn lights off to proceed with equipment installation.

Run the compact fluorescent lamps for approximately 8 -10 hours per day. After the compact fluorescents are turned off, turn on the blue LED lights to create nocturnal shimmer for night time viewing. The LED's are strong enough to illuminate the tank for nocturnal behavior.

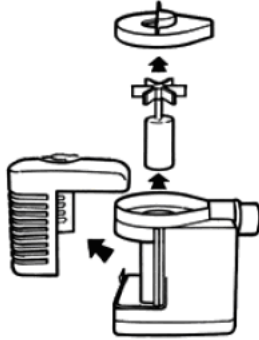
After equipment is installed:

After you have installed the equipment and the aquarium is situated on a suitable surface you can add your gravel or other substrate. If you choose to use plain gravel thoroughly rinse in a bucket before adding to the aquarium. Be careful that nothing scratches the aquarium's glass surfaces. If you are adding rock to your aquarium do not drop it. Place it in aquarium carefully.

Once the substrate has been added you can carefully fill the aquarium with water. When full, the power can be turned on. Check that the pumps are operating correctly.

The pumps should run quietly. If either fails to operate or if they are noisy turn the power off, remove the pumps and take the impeller out (see diagram). Check for damage to the magnet and reinstall the impeller before turning the pumps back on.

Removing the impeller



PLEASE READ THE FOLLOWING BEFORE STARTING

SAFETY INSTRUCTIONS



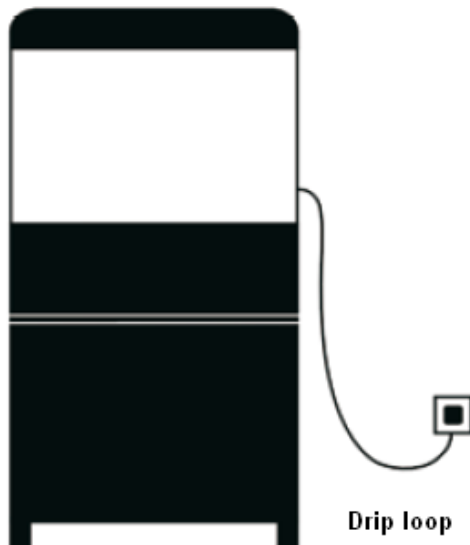
WARNING: FOLLOW THE SAFETY PRECAUTIONS BELOW TO PREVENT PROPERTY DAMAGE, FIRE, PERSONAL INJURY AND LOSS OF LIFE.

DANGER: To avoid possible electric shock, proper care must be taken when handling a wet aquarium. For each of the following situations, do not attempt repairs yourself. Return the appliance to an authorized service facility for service or discard the appliance.

- Place in an area where if the aquarium accidentally leaks or breaks it creates the least amount of property damage.
- Do not place aquarium near electronic systems (T.V., computer, power strip etc.) or anywhere that the possibility of water splash is a concern.
- Do not try to repair an aquarium that was damaged in shipment or damaged during use.
- Keep all connections dry and off the ground.
- Do not touch electrical plug with wet hands to connect aquarium to outlet.
- Never pull the power cord to remove the plug from the socket. Grasp the plug firmly to disconnect from socket. Position the power cord so that it cannot be tripped over or pulled from outlet accidentally.
- Do not allow water or salt to come in contact with thermostat or power cords.
- Unplug aquarium before putting on or taking off parts, before cleaning and when not in use. If an appliance falls into the water "Do Not" reach into the water to retrieve the item, unplug item from power first.
- Do not allow electrical components to get wet. If the plug or socket does get wet, DO NOT unplug the lead. Disconnect the fuse or circuit breaker of the building that supplies power to the aquarium. Allow to dry out thoroughly before re-connecting to power.
- To avoid the chance of the appliance plug or outlet getting wet, position the aquarium to one side of a wall mounted outlet to prevent water from dripping onto the outlet plug.

Create a “drip loop” (see diagram) for each cord connecting the aquarium or aquarium appliance to an outlet. The “drip loop” is the part of the cord below the level of the outlet or the plug. Use an extension cord, if necessary, to prevent water traveling along the cord and coming into contact with the outlet. If the plug or outlet does get wet, DO NOT unplug the cord. Disconnect the fuse or circuit breaker that supplies power to the appliance. Then unplug the device and examine for water in the outlet.

- If an extension cord is necessary, use a cord with the proper rating. A cord rated for fewer amps or watts than the aquarium requires may overheat.
- ALWAYS connect all power plugs (light, pump, heater, chiller, timer etc.) to a ground fault circuit interrupter (GFCI). If your house is not equipped with a GFCI outlet have an electrician install a permanent one or purchase a GFCI system from Aqua Euro USA™ that plugs directly into your electrical socket outlet. Make sure that your socket has a three pronged ground outlet.
- Examine the aquarium carefully after set up, do not plug into power if any component that should not be wet is wet (wait until component is completely dry).
- Do not operate if plug or cord is damaged, wet or tank has been dropped or is malfunctioning.



- Do not operate the aquarium if you smell smoke or there is burning.
- Only 115v (60Hz) electrical source should be used with the aquarium.
- Do not use for other than the intended use. The use of attachments not recommended or sold by the manufacturer may cause an unsafe condition.
- Be sure any appliance mounted on a tank is securely installed before operating.
- Do not touch moving or hot parts (lamps, heaters, reflectors etc.)
- Do not expose aquarium to outside elements or below freezing temperatures.
- Supervision is necessary when used by or near children.
- Use only manufacturer's genuine replacement parts. The manufacturer is not responsible for hazards caused by the use of unauthorized parts.
- Read and observe all the important notices on the aquarium.
- Always keep a copy of these instructions for reference.

MAINTENANCE

Warning: Do not touch aquarium, cord or electrical plug with wet hands. Disconnect aquarium from electricity (power supply) before performing maintenance or adjusting aquarium.

Caution:

- Do not stack anything on top of aquarium.
- Do not lift or move an aquarium that is not completely empty, never lift aquarium with wet hands.
- Never lift aquarium by grasping the upper edges of the frame or the canopy top, always carry it by supporting it from the bottom.
- Place aquarium unit in a well ventilated area.
- Make sure the ambient temperature does not exceed 85° Fahrenheit.
- Do not spill any liquid on top of aquarium – especially onto the fan holes.
- Do not scrub the glass with abrasive materials as they will scratch the glass; use AquaEuroUSA™ special glass scrubbers to clean algae, etc.

Note: Do not use tap water for marine setups.

- Change the Fluorescent lamps every 8 -10 months to ensure optimum benefit for your aquarium inhabitants.
- Recommended to perform a 20% water change every 2-4 weeks
For a Freshwater setup use only Dechlorinated water. For a Marine setup use only saltwater DO NOT USE TAP WATER. Test saltwater before and after addition for appropriate salinity.
- To prepare Dechlorinated water you can purchase a chlorine remover at your local fish store. Follow the instructions provided by the manufacturer.
- Clean the algae buildup in glass tank with an aquarium sponge or scraper as often as needed. Never use any type of soap or glass clearers.
- The sponge filter should be removed and rinsed every 2-3 weeks to remove dirt and debris. Replace as needed.
- If using the carbon bag, replace monthly. Always rinse new bags before installing into filter compartment.
- If using the bio-media and bio-balls do not clean them since they often hold beneficial
- If using the Nano skimmer (not included) empty and clean collection cup once a week or biweekly.
- The skimmer and aquarium pumps should be cleaned every 6 months.
 1. Unplug the pump from the power outlet (hands must be dry)
 2. Remove pump from tank and clean any residue
 3. Rinse all parts with clean water, use brush if necessary
 4. Reassemble and place back into tank

Aqua Euro USA™ One-Year Limited Warranty

Carefully inspect aquarium when it is received. If aquarium is received damaged, notify the carrier, note damage on freight bill. Otherwise no claim can be made against the carrier.

Aqua Euro USA™ guarantees this product, to the original purchaser, against defects in components, materials and workmanship (that occur under normal use) for a period of ONE (1) YEAR from the date of retail purchase. The warranty is not transferable and is confined to the original retail purchaser only. Damage to the aquarium glass is not included. The warranty does not apply if (1) damages result from misuse, accident, improper installation, lack of reasonable care or abuse, (2) the product is not purchased from Aqua Euro USA™ or an authorized dealer, (3) damage due to modification or alteration that is made to the product (4) wrong circuitry or unspecified electrical input to the pump, (5) service by anyone other than an authorized AquaEuroUSA™ repair center (6) the site (location where the product is kept) conditions do not conform to the recommended operating conditions for the aquarium, (7) the original brand name is removed, obliterated or altered from the product. The precondition for the warranty is that the predetermined set-up routine is observed.

Contact the company at www.aquaeurousa.com

Purchaser pays any postage, shipping and insurance fees to return aquarium. If the needed repairs are covered by warranty, purchaser will pay the return shipping charges.

In the event of product failure within the warranty period, please contact the store where the product was purchased for further instructions for repair or replacement. Repair or replacement will be carried out through Aqua Euro USA™ or its authorized dealers. A return authorization number and a copy of original purchase receipt are required for return of the defective product. After any repairs/replacement of the unit, this warranty will thereafter continue and remain in force only for the unexpired period of warranty. Moreover, the time taken for repair/replacement and in transit whether under the warranty or otherwise shall not be excluded from the warranty period.